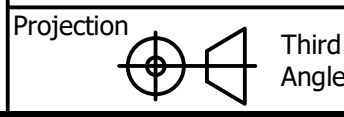
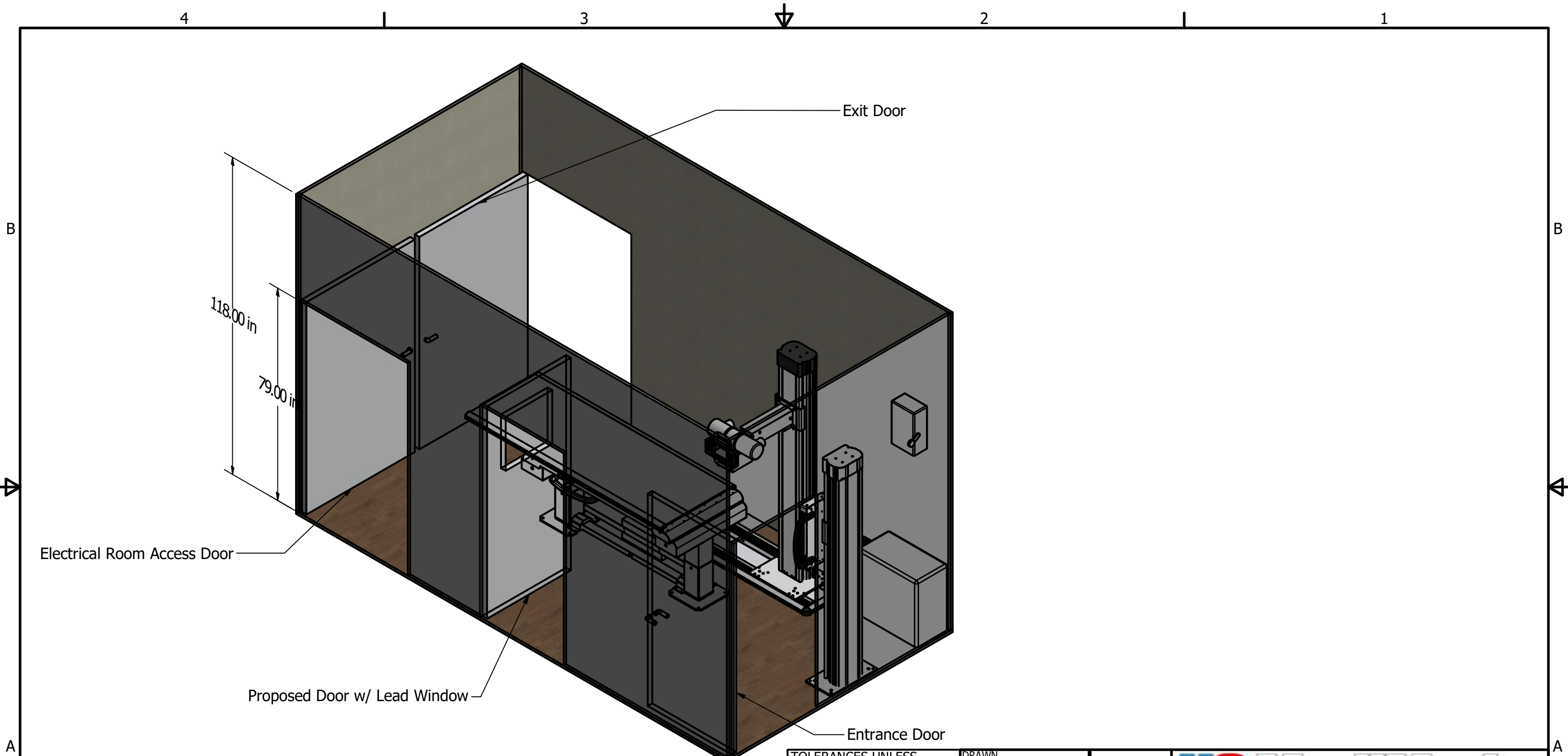


TOLERANCES UNLESS OTHERWISE SPECIFIED DIMENSIONS ARE IN MILLIMETERS
 TOLERANCES:
 .XXX ±0.010 ANGLE: ±0.5'
 .XX ±0.05
 .X ±0.2
 SURFACE FINISH: 0.8-1.6µm




DRAWN Abram Ghobrial	8/19/2021
APPROVED	
This drawing and any information or descriptive materials set out on it, are the confidential and copyright property of USMedimade, INC and must not be disclosed, copied, loaned in whole or part or used for any purpose without the written permission of USMedimade, INC .	
PART #	

TITLE Dr Jadhav's Clinic - Medical System Floor Plan			
SIZE B	Material	DWG NO Floor Plan - Medical System.idw	REV A
SCALE 0.05	Finish	SHEET 1 OF 3	



TOLERANCES UNLESS OTHERWISE SPECIFIED DIMENSIONS ARE IN MILLIMETERS
 TOLERANCES:
 .XXX ±0.010 ANGLE: ±0.5'
 .XX ±0.05
 .X ±0.2
 SURFACE FINISH: 0.8-1.6µm

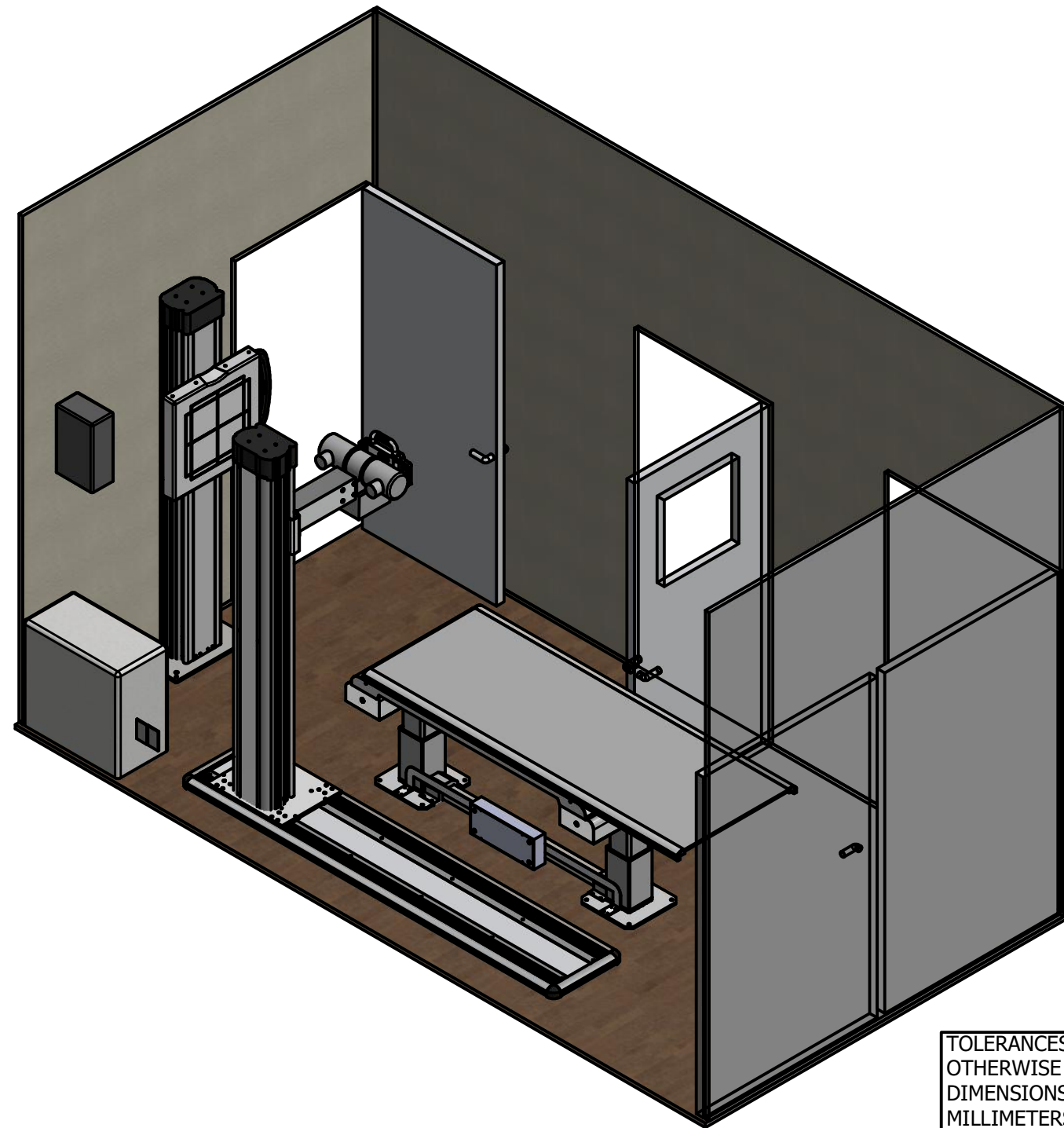
Projection  Third Angle

DRAWN Abram Ghobrial 8/19/2021
 APPROVED
 This drawing and any information or descriptive materials set out on it, are the confidential and copyright property of **USMedimade, INC** and must not be disclosed, copied, loaned in whole or part or used for any purpose without the written permission of **USMedimade, INC.**
 PART #




TITLE
 Dr Jadhav's Clinic - Medical System Floor Plan

SIZE B	Material	DWG NO Floor Plan - Medical System.idw	REV A
SCALE 0.035	Finish	SHEET 2 OF 3	



TOLERANCES UNLESS OTHERWISE SPECIFIED DIMENSIONS ARE IN MILLIMETERS
 TOLERANCES:
 .XXX ±0.010 ANGLE: ±0.5'
 .XX ±0.05
 .X ±0.2
 SURFACE FINISH: 0.8-1.6µm

Projection  Third Angle

DRAWN Abram Ghobrial	8/19/2021
APPROVED	
This drawing and any information or descriptive materials set out on it, are the confidential and copyright property of USMedimade, INC and must not be disclosed, copied, loaned in whole or part or used for any purpose without the written permission of USMedimade, INC.	
PART #	

			
TITLE Dr Jadhav's Clinic - Medical System Floor Plan			
SIZE B	Material	DWG NO Floor Plan - Medical System.idw	REV A
SCALE 0.035	Finish	SHEET 3 OF 3	