



**MEDICATECH USA®**

# Mini C-Arm **Mini-X™**



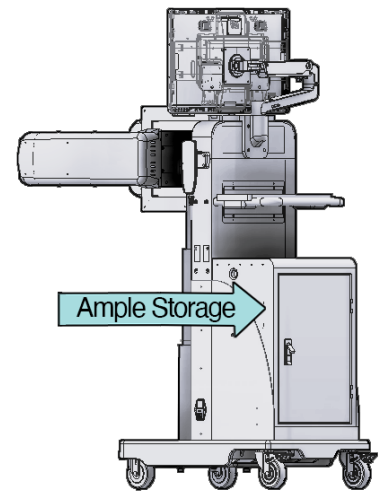
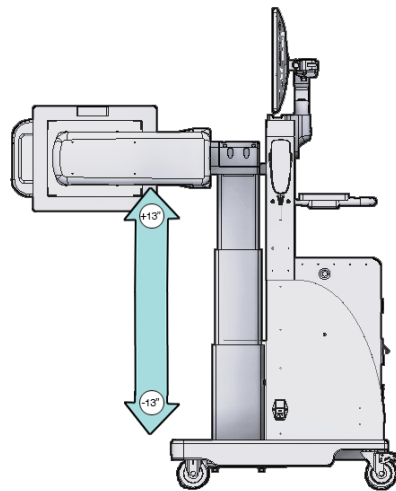
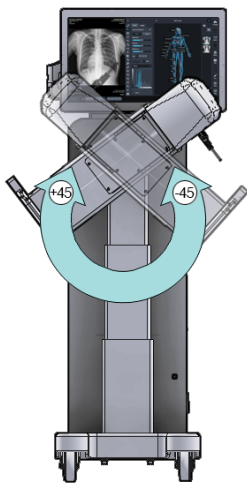
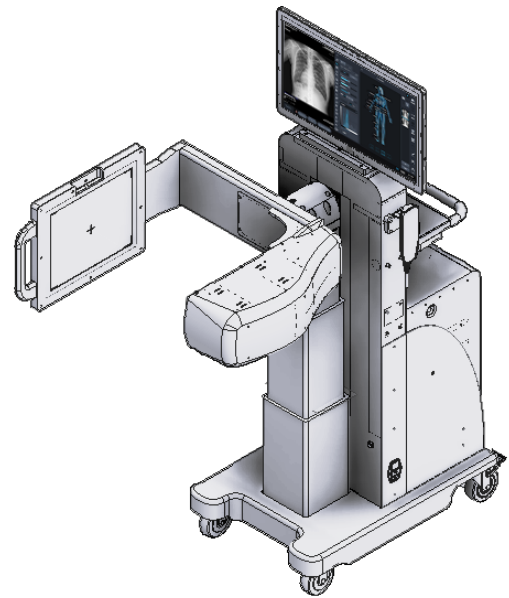
Features a 10" x 12" flap panel detector providing a 4x larger imaging area compared to existing mini c-arms.

- Up to 30 FPS Fluoro Aquisition,
- Variable Spatial Resolution
- Battery-Powered Operation

High Quality All-in-One Fluoroscopy  
Convenient by Design

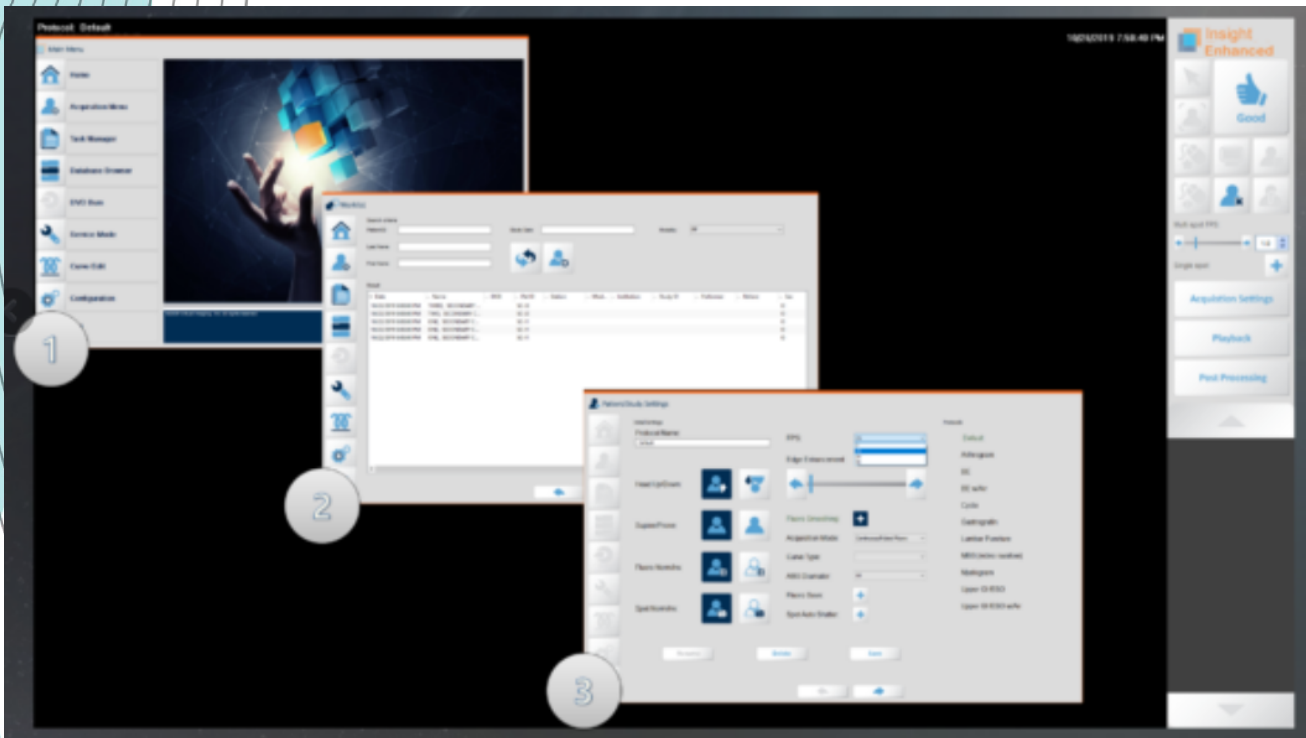
# Mini-X™ Features

- Easy Glide Design: Easy to Maneuver,
- Fully Self-Contained with Battery Back-Up,
- Plug-in Charge,
- Versatile Applications
- Quiet Operation
- Powerful Time-Saver



Ideal choice for mobile fluoroscopic procedures, with an easy-to-use design it can help make your workflow versatile, responsive and more agile.

# User-Friendly Interface



## X-Ray Tube Specifications SB-80-250 MonoBlock

IEC Classification	Class 1
Anode Type	Stationary
Anode Material	Tungsten (W)
Focal Spot ( IEC 60336:2005)	0.035 mm
kVp Range	35-80 kVp
uA Range	20-250uA
Supply Required	120VAC/1A
Insulating Medium	Oil
X-ray Tube Inherent Filtration	0.8 mm Al at 75 kV
Nominal Continuous X-ray Tube Assembly Input Power	20 W
Duty Cycle	100%



**MEDICATECH USA®**

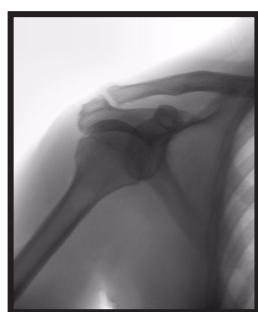
MAG Mode	Area LxW inches/mm	Pixel Size Microns	Pixel Matrix	Resolution lp/mm	Frame Rates fps	Exam Types
0	11.5x9.2/292x233	304	960 x 768	1.64	30, 25, 15, 7	Motion Studies Shoulder/Knee Arthrograms
1	9.2x9.2/233x233	228	1k x 1k	2.19	30, 25, 15, 7	PIC Lines Shoulder/Knee Arthrograms
2	9.2x9.2/233x233	152	1k x 1k	3.29	15, 7	Hand and Foot Arthrograms/Surgery
3	4.6x4.6/117x117	76	1k x 1k	6.58	30, 25, 15, 7	Hand Surgery

Detector	
Frame Rate	Up to 30 fps Continuous
Sensor	IGZO Array FPD
Conversion Screen	FOCUS Csl:TI
Active Area	11.5" x 9.2" / 291mm x 233mm
Sensor Pixel	3,840 x 3,072 (11.8 M pixels)
Image Data	76, 152, 228, and 304 um at 16 bit

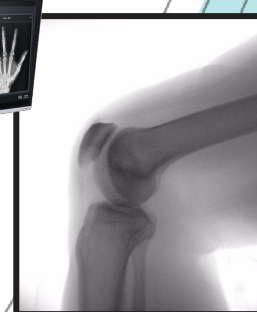
System	
Fluoro Record Time	Up to 30 Minutes
Column Lift Range	90 cm
Gantry Rotation	180 Degrees
Battery Operation Life (Single Charge)	Over 1 Hour Operation / 24 Hours Standby
Display Monitor	22" Medical Grade Touchscreen / Optional 24" Medical Grade Touchscreen
DICOM	Modality Work List Query and DICOM Send
Dimensions	47.25"H x 18.25"W x 37.2"L / 120 cm x 46 cm x 94.5 cm
Weight	165 lb / 75 kg
Battery Type	Lead Acid Battery



Foot



Shoulder



Knee



Hand





**MEDICATECH USA®**



**T. +1 800-817-5030**

**T. +1 949-679-2881**

**F. +1 949-679-2882**



**[www.medicattechusa.com](http://www.medicattechusa.com)**



**[info@medicattechusa.com](mailto:info@medicattechusa.com)**